

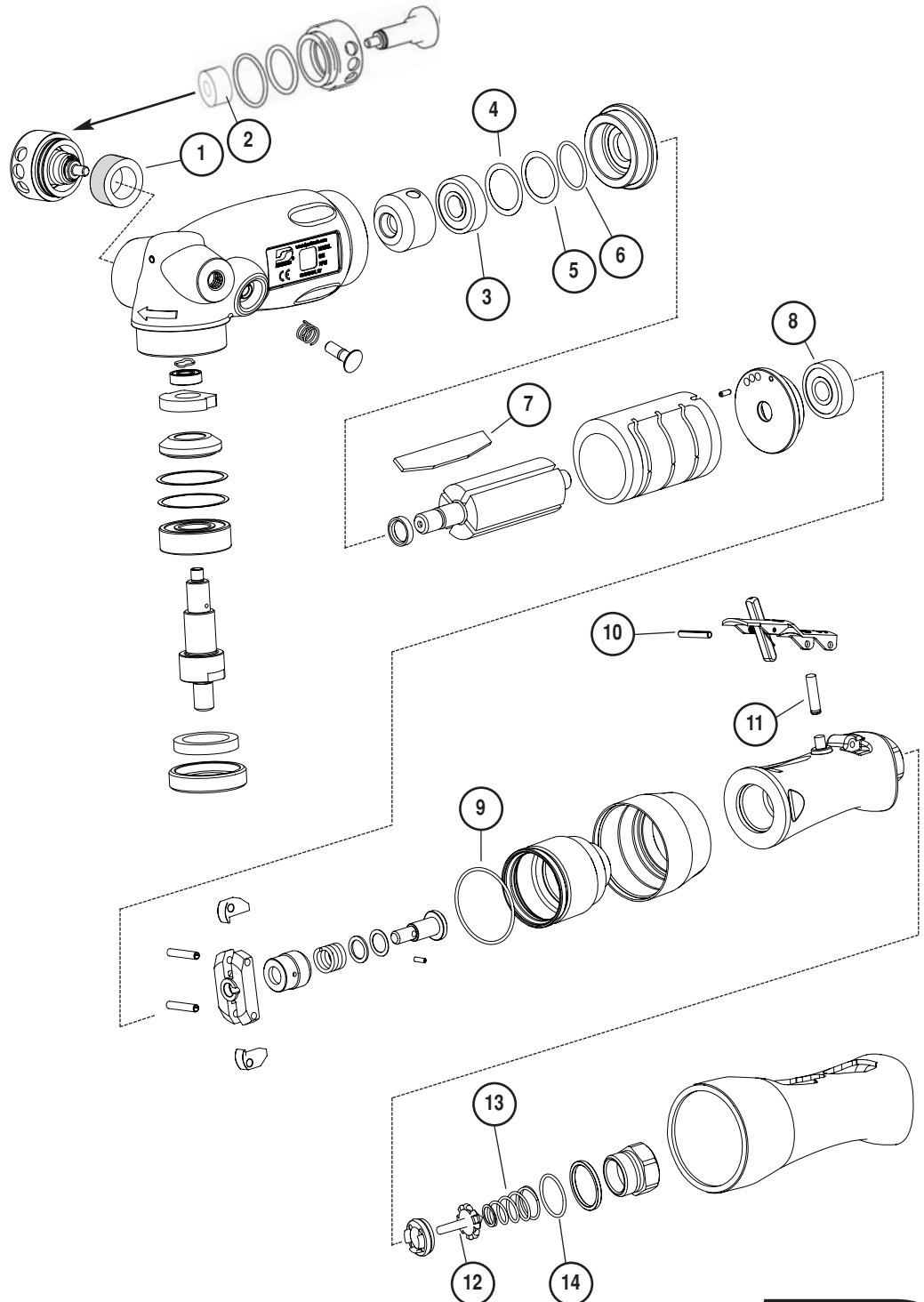
**For Use With All:
1.3hp Sanders and
Depressed Center Wheel Grinders**

96100 Motor Tune-Up Kit

Air Motor Parts

Parts included in tune-up kit are identified by part number.
Please refer to appropriate parts page for additional identification and disassembly/assembly instructions.

Index Key		
No.	Part #	Description
1	25283	Exhaust Port Silencer
2	25282	Silencer
3	01007	Bearing
4	01294	Shim (as required)
5	01293	Shim (as required)
6	98242	O-Ring
7	25234	Vane (4/Pkg.)
8	01206	Bearing
9	66435	O-Ring
10	12132	Pin
11	25247	Valve Stem Assembly (Incl 96443 O-Ring)
12	25249	Tip Valve
13	25250	Spring
14	96442	O-Ring



DYNABRADE, INC.

www.dynabrade.com

8989 Sheridan Drive • Clarence, NY 14031-1490 • Phone: (716) 631-0100 • Fax: 716-631-2073 • International Fax: 716-631-2524

©DYNABRADE, INC., 2008

PRINTED IN USA

PD08.44_08/08

